

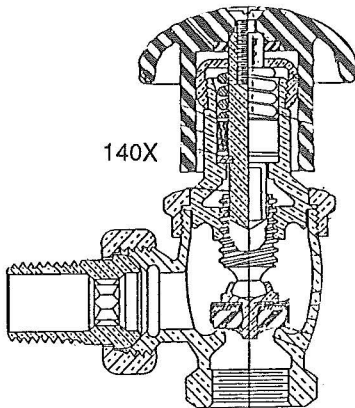
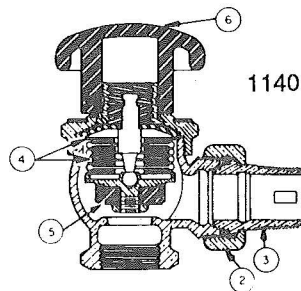
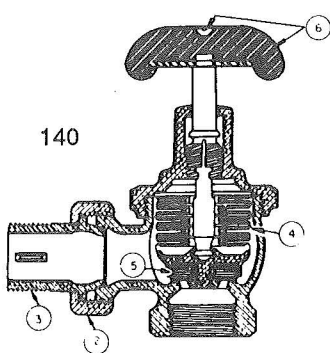


STEAM & HOT WATER VALVE SPECIALTY REPAIR PARTS MANUAL

RADIATOR VALVES

**Nos. 140, 141, 142, 143, 150, 155,
160 and 170**

**Nos. *1140, 100, 105, 110, 115, 120,
125 and 130**

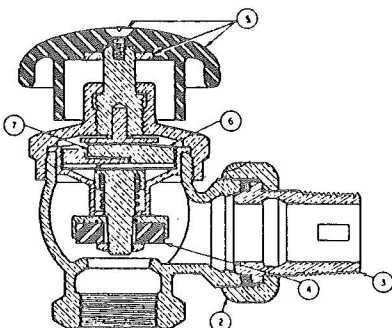


REF. NO.	SIZE AND TYPE OF VALVE	#140 SERIES VALVES				
		1/2"	3/4"	1"	1 1/4"	1 1/2"
	Valves/Less Body, Nut and Nipple (Nos. 140, 141, 142 and 143 only)	Replace with #1240 Valve Less Body, Nut and Nipple				X
2	Union Nut	C347	C346	C745	C677	C391
3	Union Nipple	C544	C1045	C1004	C1010	C1072
4	**Expansion Member Complete	N/A	N/A	X	X	X
5	Composition Disc Only	3486	3487	3488	3489	3490
6	Handle, Insert and Screw	ML7298	ML7298	ML7298	ML7298	ML7298

REF. NO.	SIZE AND TYPE OF VALVE	#1140 TYPE				
		1/2"	3/4"	1"	1 1/4"	1 1/2"
	1140 Valve/Less Body, Nut and Nipple	Replace with #1240 Valve Less Body, Nut and Nipple				
2	Union Nut	C347	C346	C745	C677	C391
3	Union Nipple	C544	C1045	C1004	C1010	C1072
4	**Expansion Member Complete w/ Guide Plate	N/A	N/A	X	X	X
5	Composition Disc Kit /6 per kit)	ML8761	ML8767	ML8774	ML8780	ML8785

** Old style repair parts are unavailable. A conversion to spring loaded packed type valve for the 1/2" and 3/4" size (140, 1140 and 1240) are available, order ML9831. See 140X drawing above.
*** Lever-type handles for No. 100 and 1140 are not available.

RADIATOR VALVE, PACKLESS, 1240

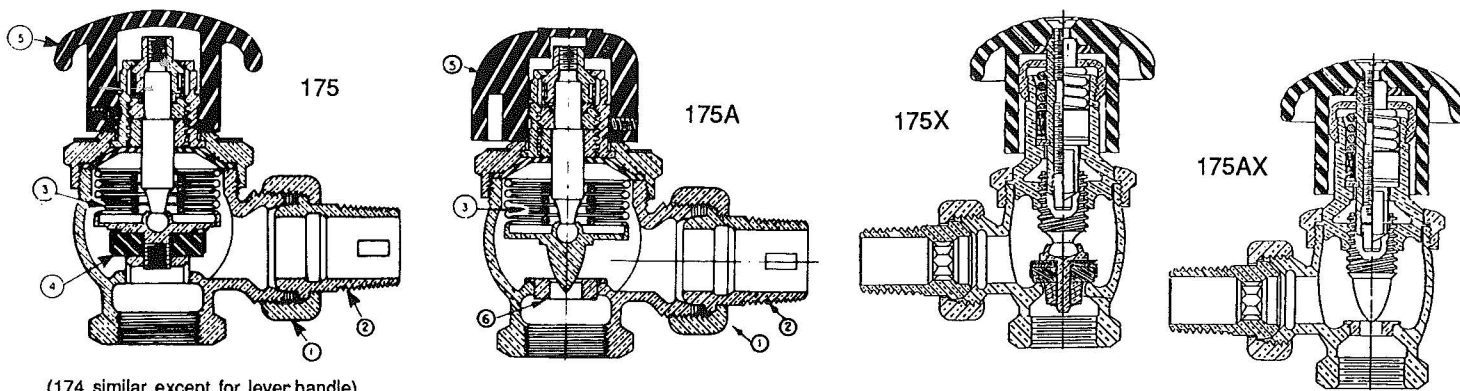


REF. NO.	SIZE OF VALVE	PART NUMBER			
		1/2"	3/4"	1"	1 1/4"
2	Union Nut	C347	C346	C745	C677
3	Union Nipple	C544	C1045	C1004	C1010
4	Composition Disc Kit (6) per kit)	ML8761	ML8767	ML8774	ML8780
5	Handle, Insert, and Screw	ML7298	ML7298	ML7298	ML7298
6	Diaphragm	B2-318	B2-318	B2-318	B2-318
7	Lever Set	A2-4823 w/A2-4824	A2-4823 w/A2-4824	A2-4823 w/A2-4824	A2-4823 w/A2-4824
8	Valve/Less Body, Nut and Nipple	ML6152	ML6153	ML6154	ML6155

Note: Button for MEPCO of Canada Conversion - 140 Valve to 1240 Interior is part number A2-8014.

SPUD WRENCHES
1/2" NIPPLE - C923, 3/4" NIPPLE - C922, 1" NIPPLE - C2134

RADIATOR VALVES 174, 175 and 175A



(174 similar except for lever handle)

Ref. No.	ITEM	Type Size	175A					175	
			1/2"	3/4"	1/2"	3/4"	1"	1 1/4"	
	Valve/Less Body, Nut, and Nipple		SEE NOTE BELOW						
1	Union Nut		C347	C346	C347	C346	C745	C677	
2	Union Nipple		C544	C1045	C544	C1045	C1004	C1010	

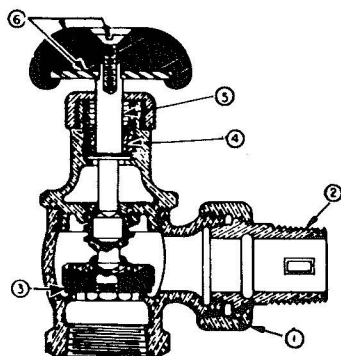
Old style repair parts are unavailable. A conversion to spring loaded packed type valve for 1/2" and 3/4" size is available order ML9833 for #175 Valves, and ML9832 for 175A Valves. See 175X and 175AX drawings above.

TOOL ADJUSTING (SCREW DRIVER) = S-3857

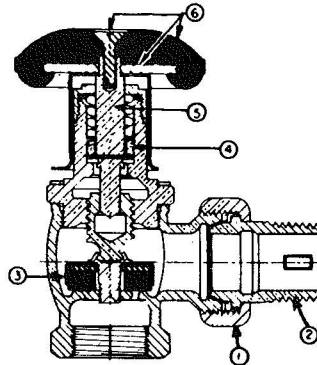
RADIATOR VALVES 200, 600 and 740

(700 similar to 740) **

(600 similar to 200)



#200



#740

Ref. No.	SIZE OF VALVE	1/2"	3/4"	1"	1 1/4"	1 1/2"	2"
	200 Valve/Less Body, Nut, and Nipple	Replace with #740A Valve Less Body, Nut, & Nipple					
	600 Valve/Less Body, Nut, and Nipple	Replace with #600A Valve Less Body, Nut, & Nipple					
	740 Valve/Less Body, Nut, and Nipple	*Replace with #740A Valve Less Body, Nut & Nipple					
1	Union Nut	C347	C346	C745	C677	C391	C323
2	Union Nipple	C544	C1045	C1004	C1010	C1072	C1094
3	Composition Disc Kit (6 Per Kit)	ML8761	ML8767	ML8774	ML8780	ML8785	ML8789
4-5	Packing Kit (6 per kit) includes packing, spring and (2) stem washers.	ML8714	ML8714	ML8714	ML8714	ML8714	ML8714
6	Handle, Insert, and Screw	ML7298	ML7298	ML7298	ML7298	ML7298	ML7298

*To replace Internal Mechanism of Old Style 1/2" 740 specify 740A less Body, Nut, and Nipple with 3/4" Bonnet, Part No. ML8495.

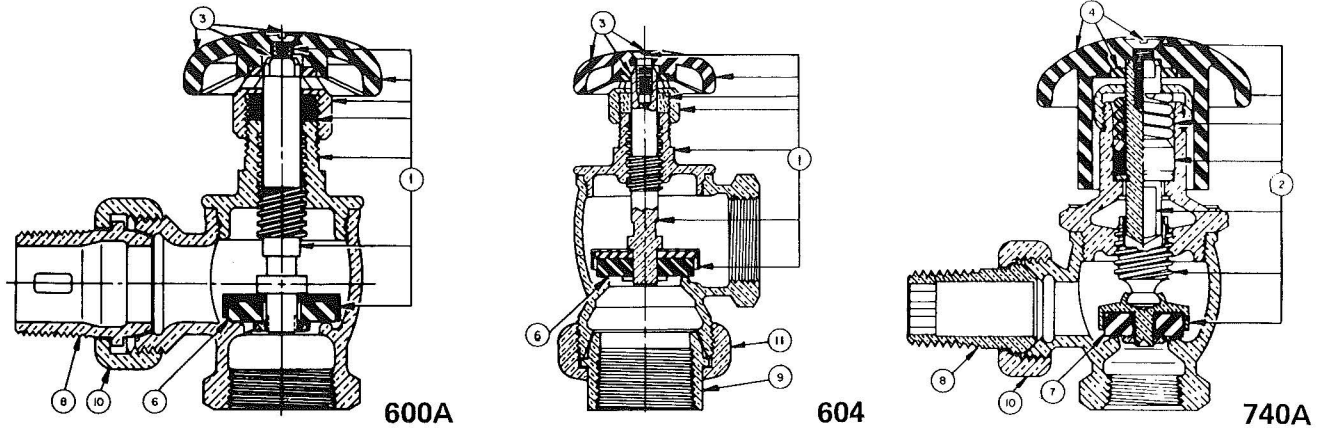
**#700, #740 Valves are no longer an active model. Substitute #740A Valve.

***ORIGINAL HANDLE NOT AVAILABLE

STRAINERS

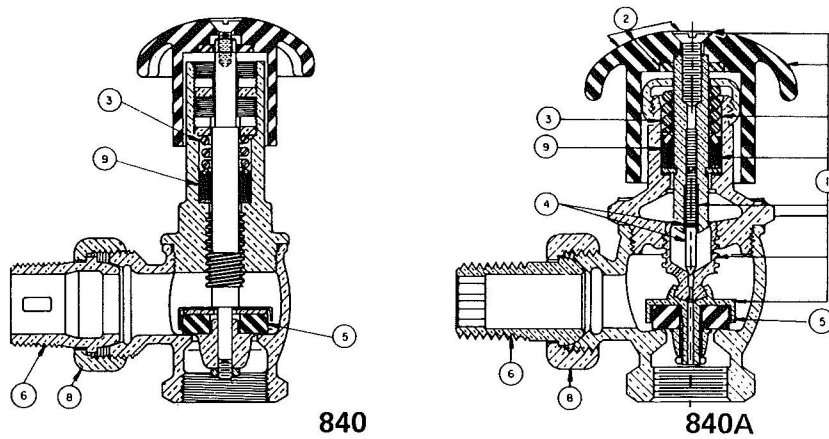
REF. NO.	ITEM	PART NUMBERS						
		SIZE	1/2"	3/4"	1"	1 1/4"	1 1/2"	2"
		TYPE	SSA*	SSA*	SSA*	SSA*	SSA*	SSA*
1	Sieve Only	D6400	D6400	D6401	D6401	D6402	D6402	

RADIATOR VALVES 600A, 604 and 740A



REF. NO.	ITEM	VALVE SIZE					
		1/2"	3/4"	1"	1 1/4"	1 1/2"	2"
1	600A, 604 Valve/Less Body, Nut, and Nipple	ML6770	ML6771	ML6772	ML6773	ML6774	ML6775
2	740A Valve/Less Body, Nut, and Nipple	ML6764	ML6765	ML6766	ML6767	ML6768	ML6769
3	Handle, Insert and Screw for 600A and 604	ML7298	ML7298	ML7298	ML7298	ML7298	ML7298
4	Handle, Insert and Screw for 740A	ML7299	ML7299	ML7299	ML7299	ML7299	ML7299
6	Kit Comp. Disc (6 per kit)	ML8761	ML8767	ML8774	ML8780	ML8785	ML8789
8	Union Nipple (600A, 740A)	C544	C1045	C1004	C1010	C1072	C1094
9	Union Nipple (Female) (604) Union Nipple (SWT) (600A, 740A)	X C8310	X C8311	A2-1322 A2-1517	A2-1317 X	X X	X X
10	Union Nut (600A, 740A)	C347	C346	C745	C677	C391	C323
11	Union Nut (604)	X	X	C677	C391	C323	X
12	Packing (600A, 604)	S3408	S3408	S3408	S3408	S3408	S3408
5 & 13	Packing Kit (6 per kit) includes packing, spring and (2) stem washers.	ML8714	ML8714	ML8714	ML8714	ML8714	ML8714

MIL BALANCER RADIATOR VALVES 840 and 840A

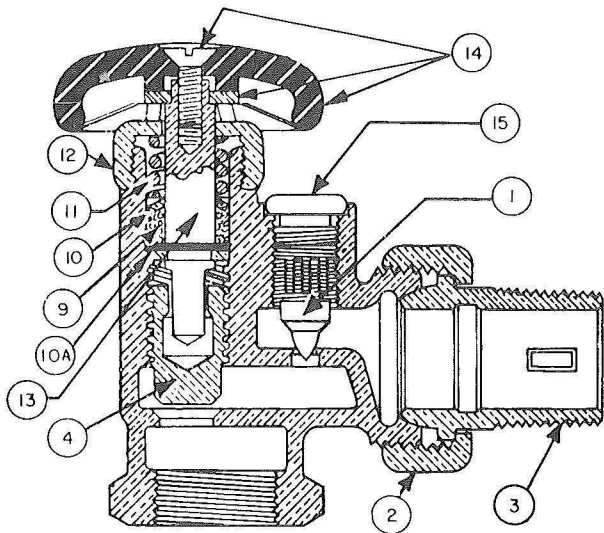


REF. NO.	ITEM	VALVE SIZE				
		1/2"	3/4"	1"	1 1/4"	1 1/2"
1	Replace 840 Valve w/840A Less Body, Nut, and Nipple	ML6585	ML6586	ML6852	ML6853	ML6854
2	Handle, Insert, and 840A Screw	ML7299	ML7299	ML7299	ML7299	ML7299
4	Stem Assembly**	ML6755	ML6755	ML6756	ML6757	ML6758
5	Kit Comp. Disc (840, 840A) (6 per kit)	ML8761	ML8767	ML8774	ML8780	ML8785
6	Union Nipple (840, 840A)	C544	C1045	C1004	C1010	C1072
7	Union Nipple (Sweat) (840, 840A)	C8310	C8311	A2-1517	A2-2081	A2-2082
8	Union Nut (840, 840A)	C347	C346	C745	C677	C391
3 & 9	Packing Kit (6 per kit) includes packing, spring and (2) stem washers.	ML8714	ML8714	ML8714	ML8714	ML8714

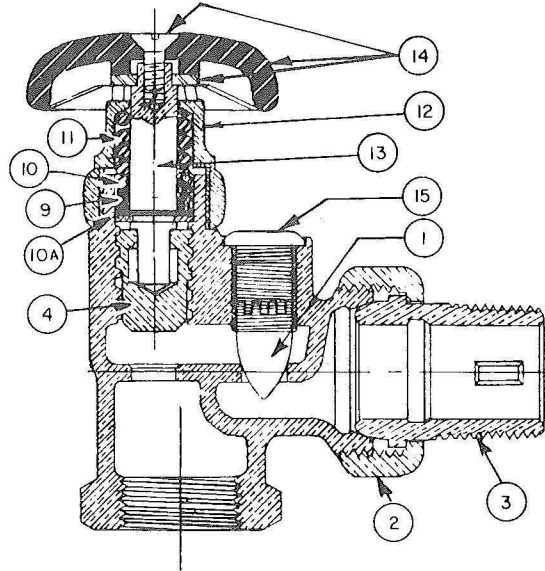
**Stem Assembly includes Screw, Stem, and O Ring.

TOOL ADJUSTING (SCREW DRIVER) = S-3857

RADIATOR VALVES SWRF-SWRFA



TYPE SWRFA, SWRFB



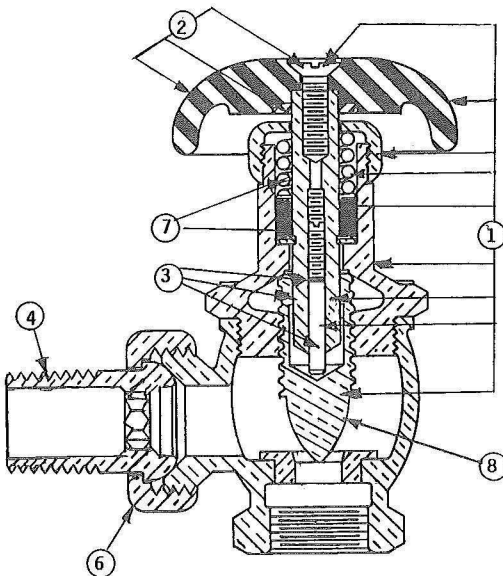
TYPE SWRF

REF. NO.	TYPE SIZE	**SWRF	**SWRF	SWRFA	SWRFA	SWRFB
		1/2" - 40NFT	3/4" - 40NFT	1/2"	3/4"	3/4"
1	Valve Regulator	C8097-A*	C8097-A*	C8097*	C8097*	A2-784*
2	Union Nut	C347	C346	C347	C346	C346
3	Union Nipple	C544	C1045	C544	C1045	C1045
4	Spindle Screw	C8099	C8099	C8099	C8099	C8099
9,10,10A,11	Packing Kit (6 per kit) includes packing, spring, and (2) stem washers.	ML8714	ML8714	ML8714	ML8714	ML8714
12	Packing Nut	X	X	C551	C551	C551
13	Handle Stem	C5824	C5824	C5824	C5824	C5824
14	Handle, Insert, and Screw	ML7298	ML7298	ML7298	ML7298	ML7298
15	Valve Regulator Cap	C8098-A*	C8098-A*	C8098*	C8098*	C8098*

NOTES:

- a.* Always make certain that "SWRF" parts are ordered for "SWRF" Valves, since the "SWRA" Regulators (Ref. No. 1) and Caps (Ref. No. 15) are *NOT* interchangeable, with the "SWRF" corresponding parts.. And also, "SWRFB" Regulators (Ref. No. 1) are *NOT* interchangeable, with the "SWRF" or "SWRFA" corresponding parts. See above.
- b. "SWRF" and "SWRFA" or "SWRFB" Valves are not interchangeable. "SWRF" Valves are 40 fine thread, while "SWRFA" and "SWRFB" Valves are 20 coarse thread.

** Obsolete Models.



TYPE - SWRF-C

REF. NO.	ITEM	VALVE SIZE			
		1/2	3/4	1	1 1/4
1	Valve-Less/Body, Nut, and Nipple	ML8704	ML8705	ML8706	ML8707
2	Handle, Insert, and Screw	ML7298	ML7298	ML7298	ML7298
3	Stem Assembly *	ML6755	ML6755**	ML6757	ML6757
4	Union Nipple	C544	C1045	C1004	C1010
5	Union Nipple (Sweat)	C8310	C8311	A2-1517	A2-2081
6	Union Nut	C347	C346	C745	C677
7	Packing Kit (6/kit) includes packing, spring, (2) stem washers.	ML8714	ML8714	ML8714	ML8714
8	Flow Control Cone	A2-3174	A2-3174	A2-3525	A2-3478

* Stem assembly includes screw, stem and O-ring.

**MUST ORDER FLOW CONTROL CONE A2-3174 TO GO WITH STEM.

TOOL ADJUSTING (SCREW DRIVER) = S-3857